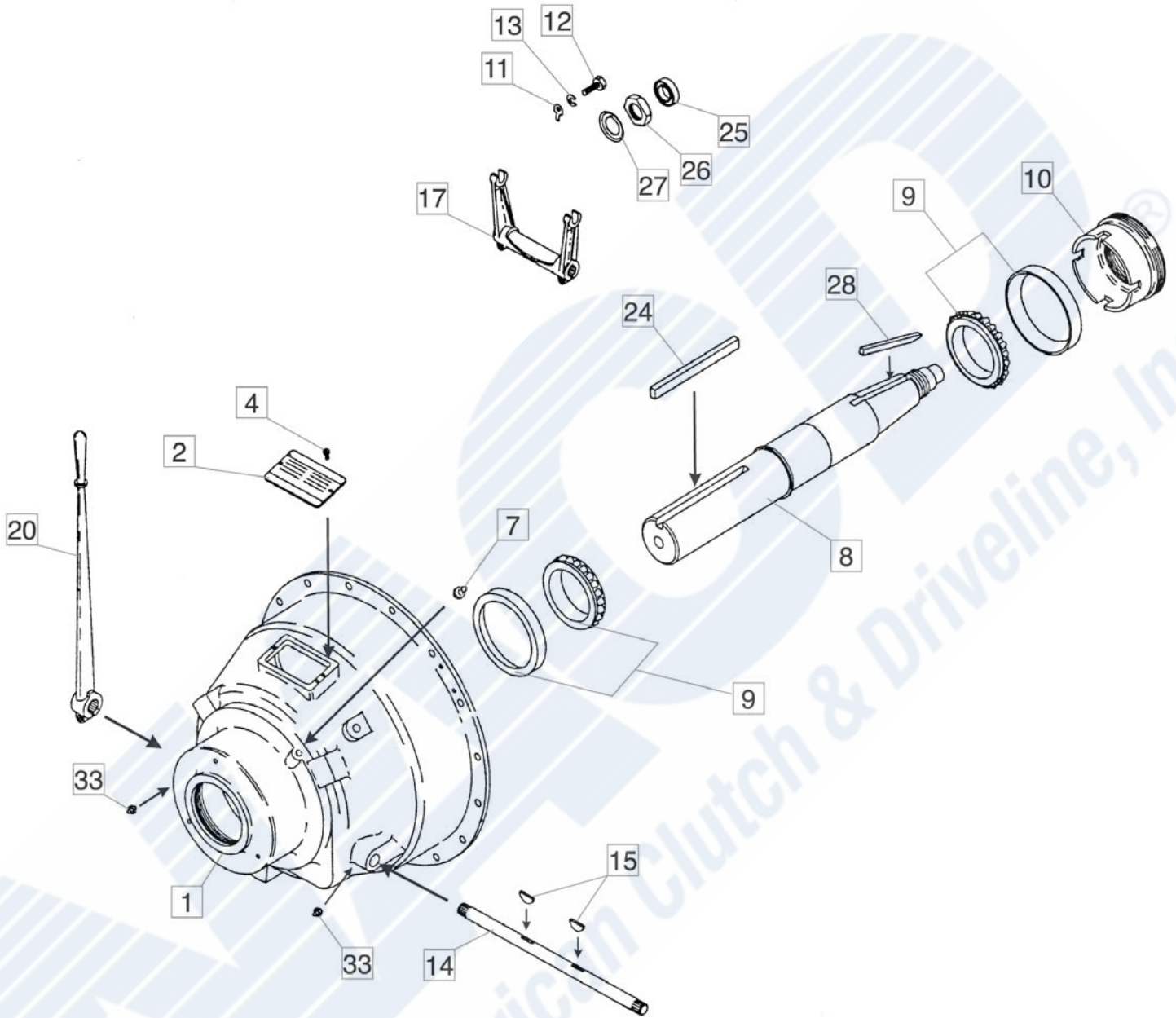


Housing: SAE #3
 Clutch: 11.5" HE (Single Plate)
 Application: Side Load or In-Line

NACD
 Power Take-Off
 434218AM



Ref #	Part Name	Part #	Qty	Ref #	Part Name	Part #	Qty	Ref #	Part Name	Part #	Qty
1	Bell Housing	204245AM	1	15	Woodruff Key	204536AM	2	79	Clutch Assembly	415851AM	1
2	Name Plate	101590AM	1	17	Yoke Sub Assy	309602AM	1		(see page 2)		
4	Bolt	206092AM	2	20	Shifting Lever	308365AM	1				
7	Grease Fitting	260843AM	1	24	Output Key	204474AM	1				
8	Drive Shaft	206235AM	1	25	Pilot Bearing	236739AM	1				
9	Main Bearings	307567AM	2	26	Nut	204715AM	1				
10	Bearing Retainer	205710AM	1	27	Locking Washer	207232AM	1				
11	Adjusting Lock	205368AM	1	28	Clutch Key	204495AM	1				
12	Lock Bolt	203061AM	1	33	Grease Fitting	207954AM	2				
13	Lock Washer	LC100533	1								
14	Cross Shaft	206431AM	1								

Clutch Model: 11-1/2" HE (Single Plate)

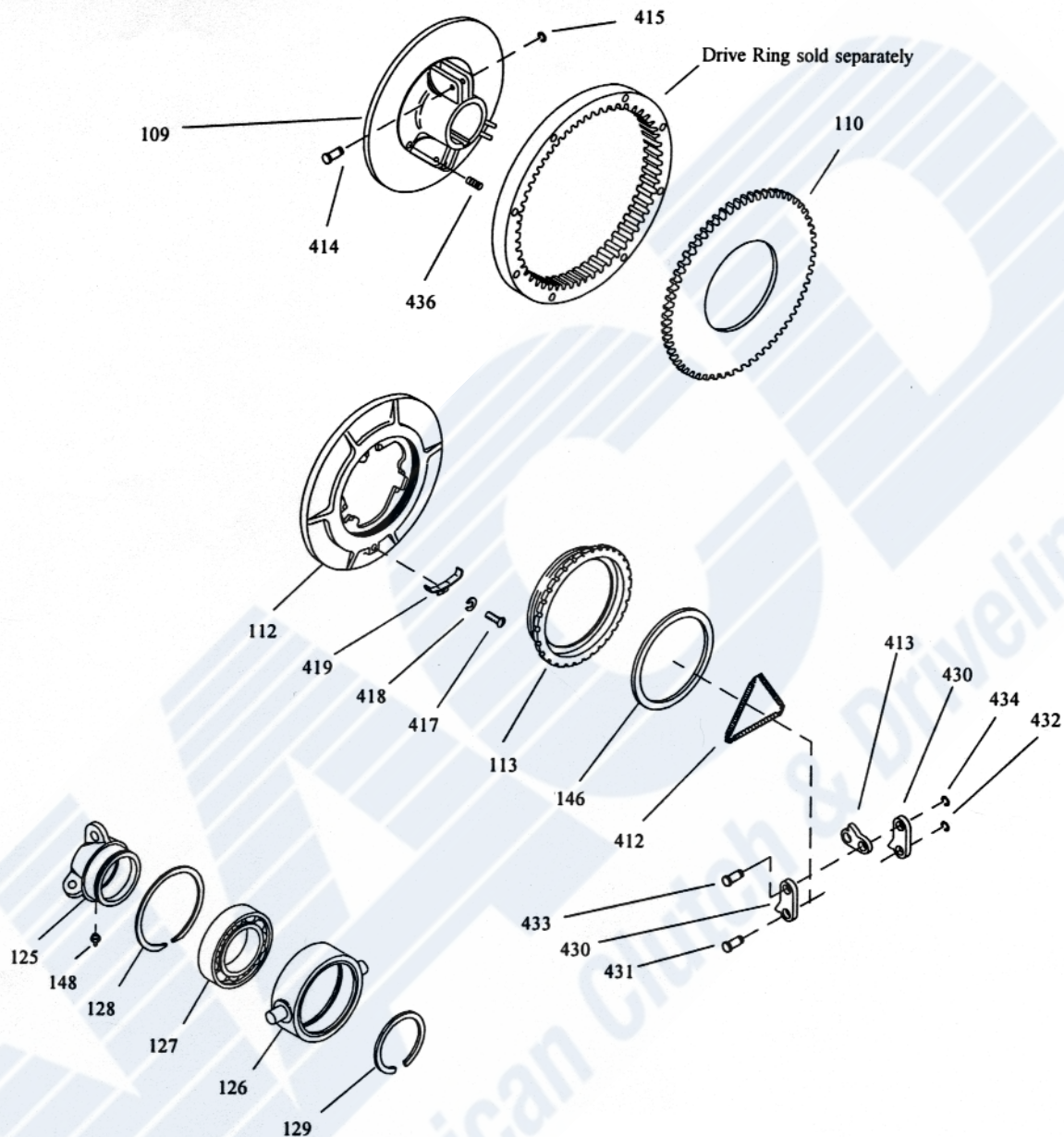
Friction Material: Organic

Release Bearing Type: Ball Bearing

NACD

Heavy Duty Clutches

415851AM



Ref #	Part Name	Part #	Qty	Ref #	Part Name	Part #	Qty	Ref #	Part Name	Part #	Qty
79	Clutch Assembly	415851AM	1	419	Adjustment Lock	X	1	132	Slv & Brng Asy	334397AM	1
	<i>includes all parts below except item 935</i>										
109	Clutch Body	202986AM	1	430	Link	X	6		<i>includes 125-129, 148, 430, 431 & 432</i>		
110	Facing Plate	203565AM	1	431	Clevis Pin	X	3	146	Wear Ring	205996AM	1
112	Pressure Plate	205504AM	1	432	Retaining Ring	X	3	148	Grease Fitting	207954AM	1
113	Adjusting Ring	205821AM	1	433	Clevis Pin	X	3	935	Drive Ring	205865AM	1
412	Lever Spring	X	1	434	Retaining Ring	X	3				
413	Lever	X	3	436	Separator Spring	X	3				
414	Clevis Pin	X	3	125	Release Sleeve	234395AM	1				
415	Retaining Ring	X	3	126	Bearing Carrier	203300AM	1				
417	Hxhd Screw	X	1	127	Release Bearing	207513AM	1				
418	Serrated Washer	X	1	128	Internal Snapping	212612AM	1				
				129	External Snapping	206760AM	1				

Items 412-436 serviced as part of clutch kit 332920AM