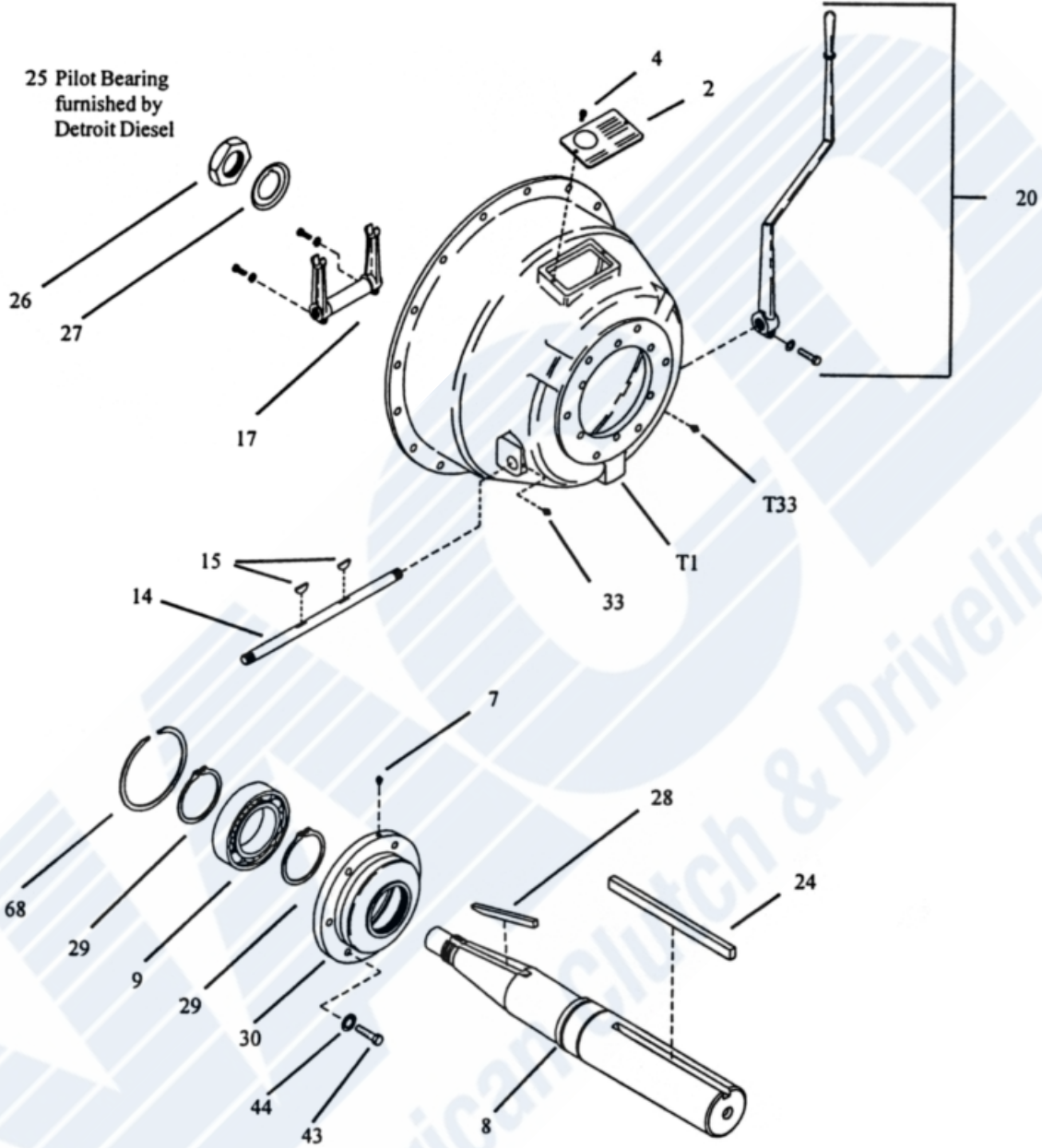


Housing: SAE #0
 Clutch: 18" HC (DP) (Double Plate)
 Application: In-Line Detroit Diesel P/N 5102268

NACD
 Power Take-Off
 422500AM



Ref #	Part Name	Part #	Qty	Ref #	Part Name	Part #	Qty	Ref #	Part Name	Part #	Qty
1	Bell Housing	216388AM	1	25	Pilot Bearing	from Detroit Diesel	1	79	Clutch Assembly	417106AM	1
2	Name Plate	101590AM	1	26	Nut	204722AM	1		(see page 2)		
4	Bolt	206092AM	2	27	Locking Washer	207239AM	1				
7	Grease Fitting	260843AM	1	28	Clutch Key	204507AM	1				
8	Drive Shaft	222504AM	1	29	External Snapping	220925AM	2				
9	Main Bearing	218596AM	1	30	Bearing Housing	218597AM	1				
14	Cross Shaft	206429AM	1	33	Grease Fitting	207953AM	2				
15	Woodruff Key	204536AM	2	43	Bolt	203072AM	6				
17	Rlse Yoke Assy	309609AM	1	44	Lockwasher	207290AM	6				
20	Shifting Lever	308377AM	1	68	Internal Snapping	218595AM	1				
24	Output Key	204481AM	1								

Clutch Model: 18" HC (DP) (Double Plate)

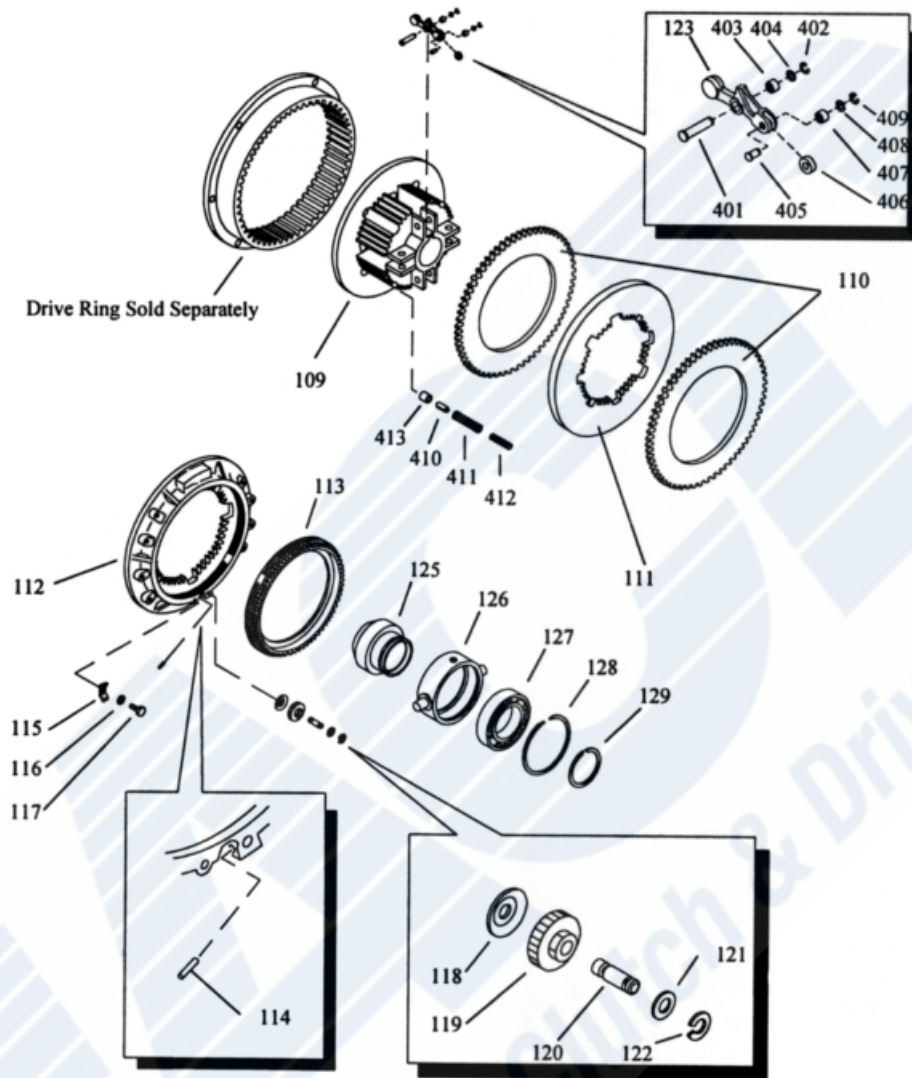
Friction Material: Organic

Release Bearing Type: Ball Bearing



Heavy Duty Clutches

417106AM



Ref #	Part Name	Part #	Qty	Ref #	Part Name	Part #	Qty	Ref #	Part Name	Part #	Qty
935	Drive Ring	205868AM	1	120	Special Pin	205019AM	1	127	Bearing	207512AM	1
79	Clutch Assembly	417106AM	1	121	Plain Washer	207265AM	1	128	Internal Snapping	206804AM	1
	<i>(includes all parts listed below)</i>										
109	Clutch Body	203004AM	1	122	Retainer Ring	205895AM	1	129	External Snapping	206759AM	1
110	Facing Plate	215784AM	2	123	Release Lever	204566AM	4	130	Rel Lever Assy	308320AM	4
111	Center Plate	205188AM	1	401	Clevis Pin	X	4	<i>(includes 123, 403, 405-409)</i>			
112	Pressure Plate	205503AM	1	402	Retainer Ring	X	4	131	Brng Carrier Assy	307774AM	1
	<i>(also see 136)</i>										
113	Adjusting Ring	205831AM	1	403	Needle Bearing	X	8	132	Release Sleeve	309250AM	1
114	Spring Pin	205037AM	1	404	Plain Washer	X	4	<i>and Bearing Sub Assembly</i>			
115	Adjustment Lock	204691AM	1	405	Clevis Pin	X	4	<i>(includes 125 through 129)</i>			
116	Washer	207299AM	1	406	Lever Roller	X	4	410	Spring Pin	X	4
117	Lock Bolt	203071AM	1	407	Needle Bearing	X	4	411	Separator Spring	X	4
118	Belleville Washer	206892AM	1	408	Plain Washer	X	4	412	Separator Spring	X	4
119	Gear	204202AM	1	409	Retainer Ring	X	4	136	Press Plate Assy	308807AM	1
				125	Release Sleeve	309334AM	1	<i>(includes 112 through 122)</i>			
					<i>(with bushing)</i>						
				126	Bearing Carrier	203299AM	1				

X Item available only as part of clutch kit 332923AM.

