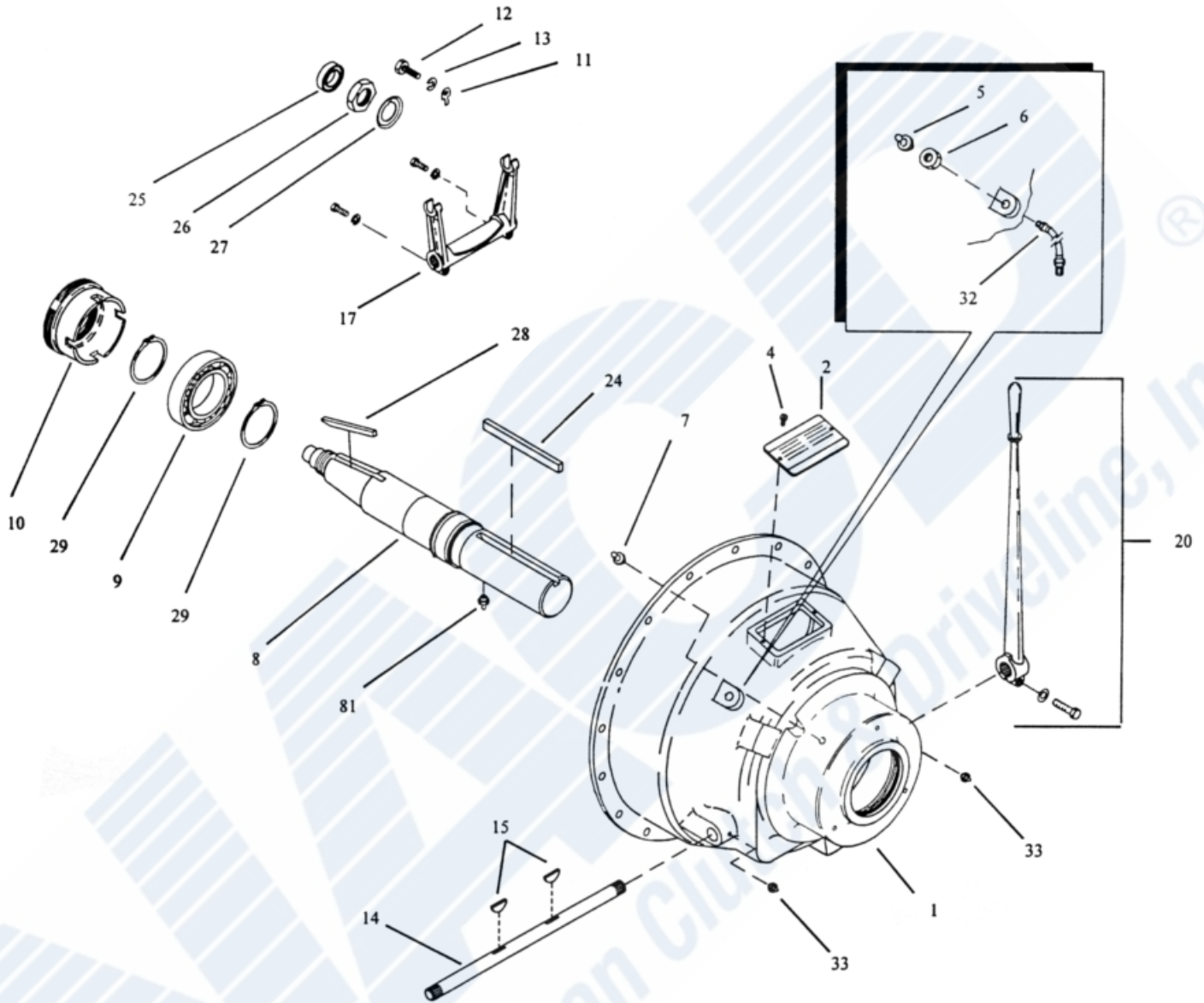


Housing: SAE #1
 Clutch: 11.5" HE (Double Plate)
 Application: In-Line

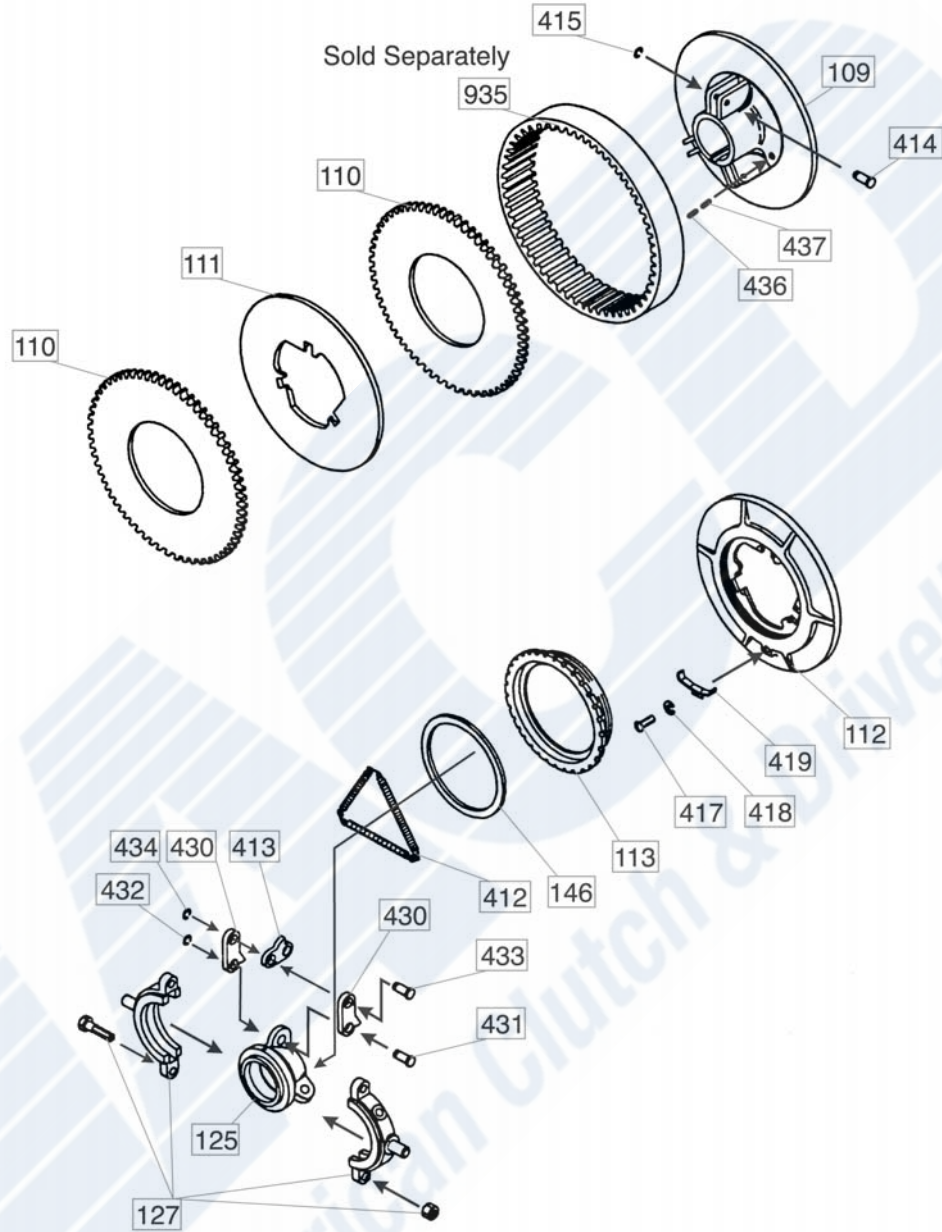
NACD
 Power Take-Off
 419490AM



| Ref # | Part Name | Part # | Qty | Ref # | Part Name | Part # | Qty | Ref # | Part Name | Part # | Qty |
|-------|------------------|----------|-----|-------|-------------------|----------|-----|-------|-----------------|----------|-----|
| 1 | Bell Housing | 219516AM | 1 | 20 | Shifting Lever | 308368AM | 1 | 79 | Clutch Assembly | 410945AM | 1 |
| 2 | Name Plate | 233863AM | 1 | 24 | Output Key | 204474AM | 1 | 81 | Grease Fitting | 260843AM | 1 |
| 4 | Bolt | 206092AM | 2 | 25 | Pilot Bearing | 207430AM | 1 | | | | |
| 5 | Grease Fitting | 260843AM | 1 | 26 | Nut | 204724AM | 1 | | | | |
| 6 | Jam Nut | 204751AM | 1 | 27 | Locking Washer | 207240AM | 1 | | | | |
| 7 | Grease Fitting | 260843AM | 1 | 28 | Clutch Key | 204518AM | 1 | | | | |
| 8 | Drive Shaft | 219069AM | 1 | 29 | External Snapping | 219135AM | 2 | | | | |
| 9 | Main Bearing | 207476AM | 1 | 32 | Grease Tube | 209571AM | 1 | | | | |
| 10 | Bearing Retainer | 219070AM | 1 | 33 | Grease Fitting | 207954AM | 2 | | | | |
| 11 | Adjustment Lock | 205368AM | 1 | | | | | | | | |
| 12 | Lock Bolt | 203061AM | 1 | | | | | | | | |
| 13 | Lockwasher | LC100533 | 1 | | | | | | | | |
| 14 | Cross Shaft | 206431AM | 1 | | | | | | | | |
| 15 | Woodruff Key | 204536AM | 2 | | | | | | | | |
| 17 | Rel. Yoke Asy | 309609AM | 1 | | | | | | | | |

Clutch Model: 11.5" HE (DP) (Double Plate)
 Friction Material: Organic
 Release Bearing Type: Bronze Collar

NACD
 Heavy Duty Clutches
 410945AM



| Ref # | Part Name | Part # | Qty | Ref # | Part Name | Part # | Qty | Ref # | Part Name | Part # | Qty |
|-------|--|----------|-----|-------|-----------------|--------|-----|-------|--|----------|-----|
| 935 | Drive Ring | 205865AM | 1 | 413 | Lever | X | 3 | 436 | Separator Spring | X | 3 |
| 79 | Clutch Assembly | 410945AM | 1 | 414 | Clevis Pin | X | 3 | 437 | Roll Pin | X | 3 |
| | <i>(includes all parts listed below)</i> | | | | | | | | | | |
| 109 | Clutch Body | 203002AM | 1 | 415 | Retaining Ring | X | 3 | 125 | Release Sleeve | 206592AM | 1 |
| 110 | Facing Plate | 203565AM | 2 | 417 | Lock Bolt | X | 1 | 127 | Release Bearing | 307559AM | 1 |
| 111 | Center Plate | 205187AM | 1 | 418 | Lock Washer | X | 1 | | <i>(includes 2 bronze halves, 2 bolts, 2 nuts)</i> | | |
| 112 | Pressure Plate | 205504AM | 1 | 419 | Adjustment Lock | X | 1 | 132 | Sleeve/Brng Assy | 309249AM | 1 |
| | <i>(also see 136)</i> | | | | | | | | | | |
| 113 | Adjusting Ring | 205821AM | 1 | 430 | Link | X | 6 | 136 | Press Plate Assy | 308808AM | 1 |
| 412 | Lever Spring | X | 1 | 431 | Clevis Pin | X | 3 | | <i>(includes 112, 113 & 146)</i> | | |
| | | | | 432 | Retaining Ring | X | 3 | 146 | Wear Ring | 205996AM | 1 |
| | | | | 433 | Clevis Pin | X | 3 | | | | |
| | | | | 434 | Retaining Ring | X | 3 | | | | |

X Item available only as part of clutch kit 332920AM.