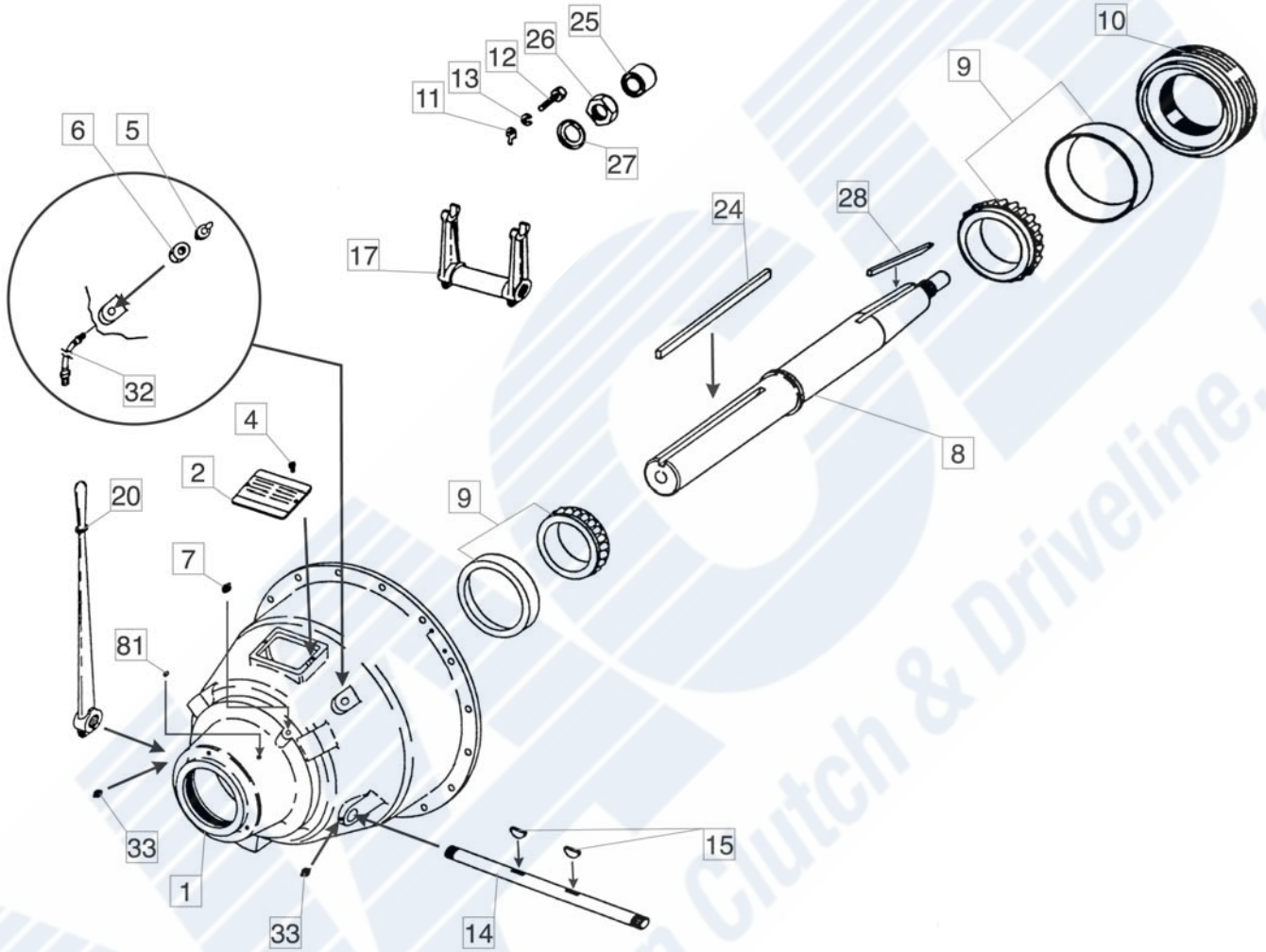


Housing: SAE #1
 Clutch: 14" HD (Single Plate)
 Application: Side Load

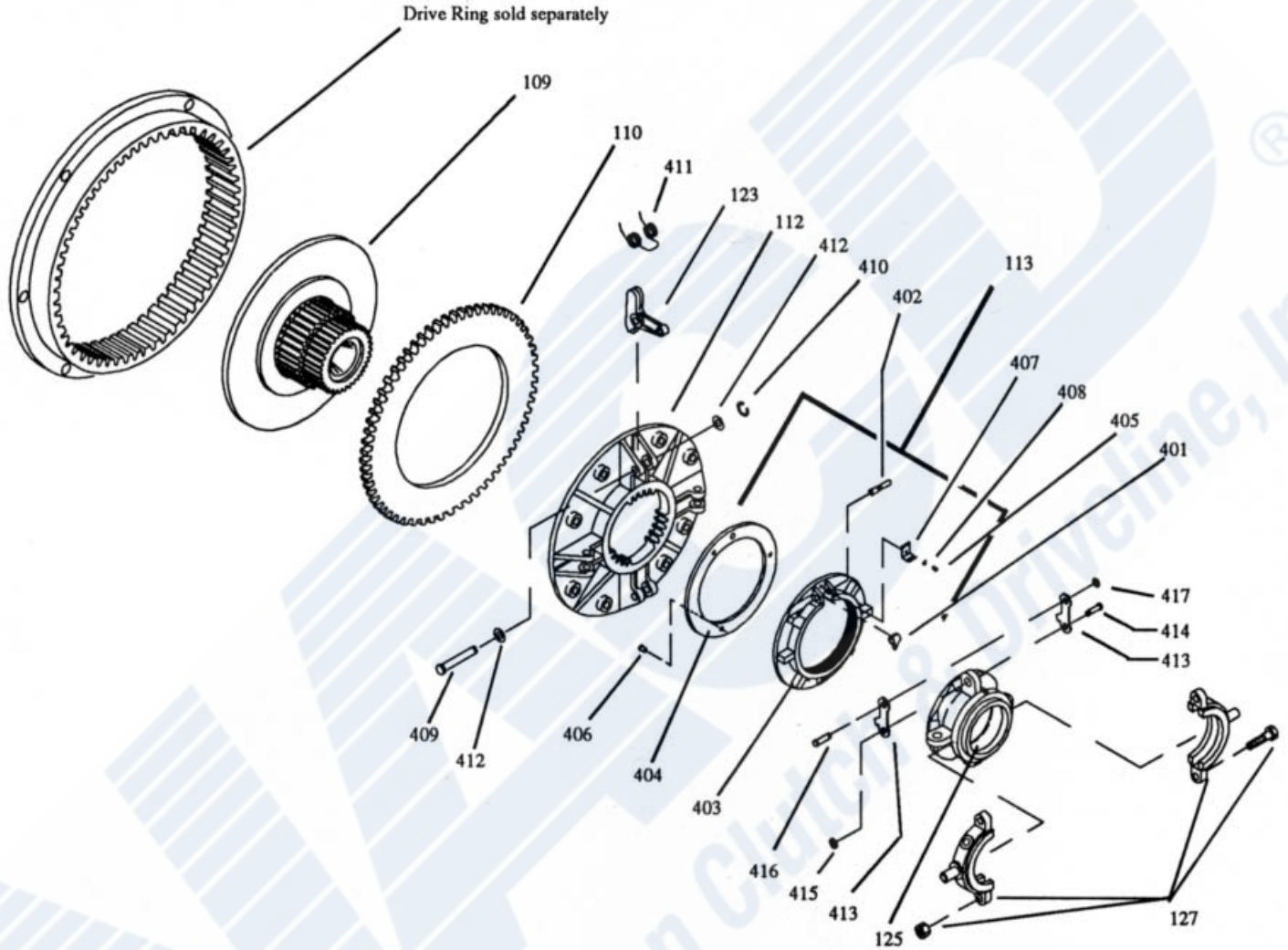
NACD
 Power Take-Off
 411058AM



Ref #	Part Name	Part #	Qty	Ref #	Part Name	Part #	Qty	Ref #	Part Name	Part #	Qty
1	Bell Housing	204235AM	1	14	Cross Shaft	206431AM	1	79	Clutch Assembly	410815AM	1
2	Name Plate	233863AM	1	15	Woodruff Key	204536AM	2		(see page two)		
4	Bolt	206092AM	2	17	Yoke Sub Assy	309605AM	1	81	Pipe Plug	221257AM	1
5	Grease Fitting	260843AM	1	20	Shifting Lever	308368AM	1				
6	Jam Nut	204751AM	1	24	Output Key	204472AM	1				
7	Grease Fitting	260843AM	1	25	Pilot Bearing	101882AM	1				
8	Drive Shaft	206230AM	1	26	Nut	204718AM	1				
9	Main Bearings	307568AM	2	27	Locking Washer	207235AM	1				
10	Bearing Retainer	205709AM	1	28	Clutch Key	204471AM	1				
11	Adjusting Lock	205368AM	1	32	Grease Tube	209569AM	1				
12	Lock Bolt	203061AM	1	33	Grease Fitting	207954AM	1				
13	Lock Washer	LC100533	1								

Clutch Model: 14" HD (Single Plate)
 Friction Material: Organic
 Release Bearing Type: Bronze Collar

NACD
 Heavy Duty Clutches
 410815AM



Ref #	Part Name	Part #	Qty	Ref #	Part Name	Part #	Qty	Ref #	Part Name	Part #	Qty
935	Drive Ring	205843AM	1	404	Wear Ring	●	1	414	Clevis Pin	X	4
	<i>Sold Separately</i>			405	Machine Screw	●	1	415	Retainer Ring	X	4
79	Clutch Assembly	410815AM	1	406	Tapping Screw	●	3	416	Clevis Pin	X	4
	<i>(includes all parts listed below)</i>			407	Lock Spring	●	1	417	Retainer Ring	X	4
109	Clutch Body	202969AM	1	408	Lock Washer	●	1	125	Release Sleeve	206546AM	1
110	Facing Plate	203567AM	1	123	Release Lever	204567AM	4	127	Rel Bearing Assy	307544AM	1
112	Pressure Plate	205485AM	1	409	Clevis Pin	X	4		<i>(includes 2 bronze halves, 2 bolts, 2 nuts)</i>		
113	Adjust Ring Assy	308895AM	1	410	Retainer Ring	X	4	136	Press Plate Assy	308843AM	1
401	Adjusting Lock	●	1	411	Torsion Spring	X	4		<i>(includes 112, 123, 409, 410, 411, 412)</i>		
402	Lock Pin	●	1	412	Plain Washer	X	8	137	Sleeve/Brng Assy	309200AM	1
403	Adjusting Ring	●	1	413	Connecting Link	X	8		<i>(includes 125 & 127)</i>		

X Item available only as part of clutch kit 332921AM.
 ● Item not sold separately. Order 308895AM